

Figure 2a
Six Element Configuration

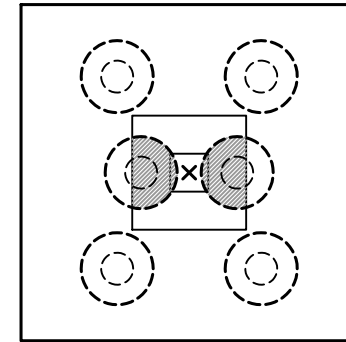


Figure 3a
Alternate Six Element Configuration
w/ Enhanced Overlap & Two-Way
Shear Factor-of-Safety

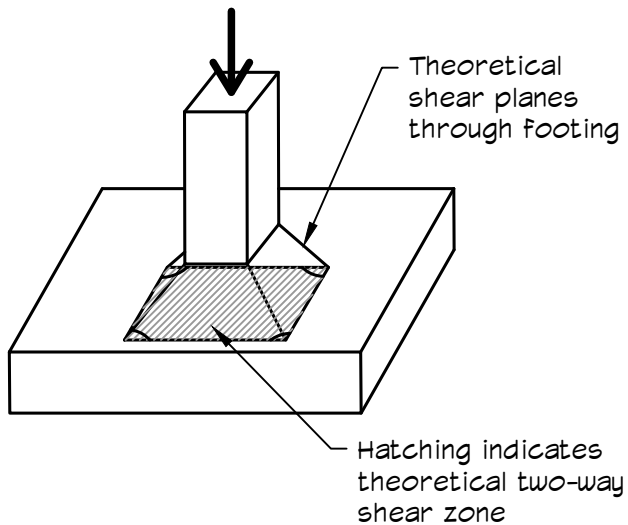


Figure 2b
Six Element Configuration

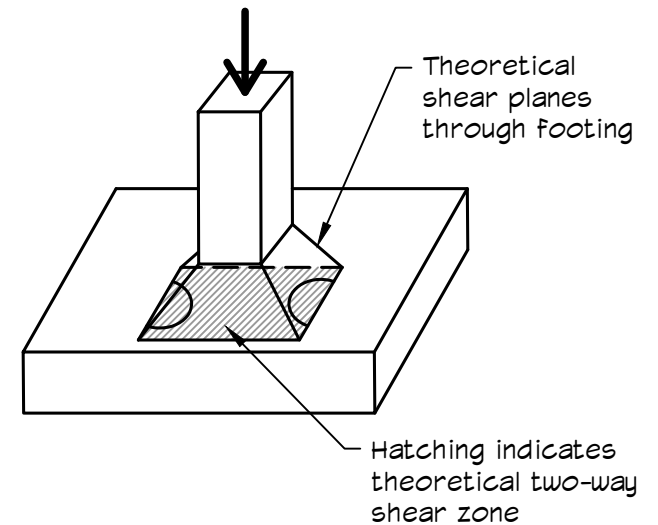


Figure 3b
Alternate Six Element Configuration
w/ Enhanced Two-Way Shear
Factor-of-Safety